

GLIMPSE OF LIGHT

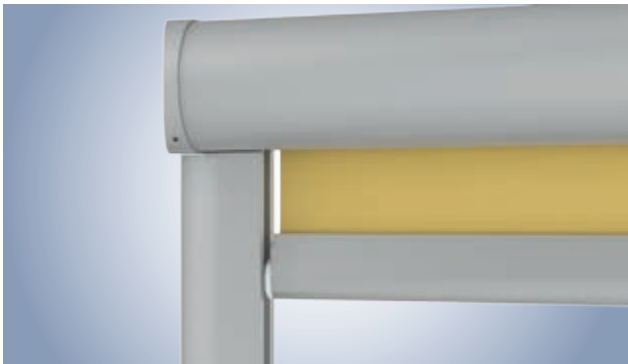
weinor vertical sun protection VertiT_ex





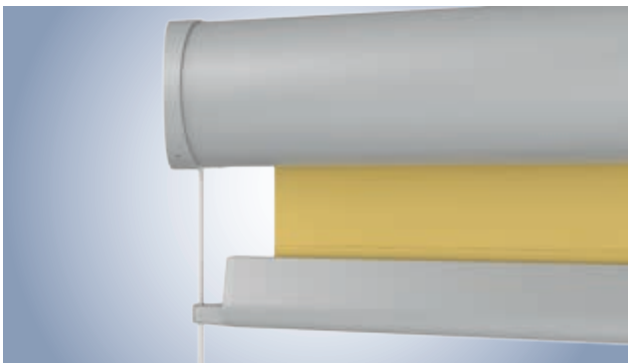
A tiny cassette in two versions – **VERTICAL AWNINGS** by weinor

The red dot award-winning vertical sun protection VertiTEx is available with rail or wire/rope guide. Its elegant cassette design is so tiny and unobtrusive that it practically melts into the window and is optimally integrated into every facade. The radio controllable VertiTEx is just perfect for larger dimensions and provides sun, glare, wind and privacy protection in one.



Rail guide – the universal

The VertiTEx with rail guide is ideal for windows that are only exposed to moderate wind load.



Wire/rope guide – for light optics

The VertiTEx with wire/rope guide is the optimal solution if you desire a particularly light and airy outer appearance. Likewise suitable for windows with moderate wind load, the vertical awning is convincing because of its fresh and airy look.



Frame colour WT 029/90146 | Pattern 7-110

Great design in miniature cassette size – comfortable radio controlled

The backbone of the minimum size of the cassette and the appealing design of the VertiTex is its innovative technology. The ground-breaking OptiFlow-System® guarantees an optimum fabric state all the time in despite having such a small cassette – even with fabrics of large widths. Would you like to control your VertiTex at the press of a button from your patio furniture or sun lounger? Then the BiConnect radio control from weinor is just the right solution for you. With the addition of weather sensors the VertiTex retracts all on its own if the weather takes a turn for the worse – even if you're not at home.



VertiTex – Highlights and accessoires



Minimal design – tiny cassette, even for large areas

The VertiTex cassette is particularly small and unobtrusive. With its patented OptiFlow-System®, this cassette is an equally suitable option for shading large areas.

- cassette height 74 mm or 86 mm according to height of system
- width max. 600 cm, height max. 400 cm – elegant and economical alternative to roller shutter housing



Almost invisible cassette – for a better view

With the VertiTex, you will always have a clear view because your mini cassette is not or barely visible in the window (according to installation).

- unobstructed, free view outside without a disturbing box in the region of the window frame
- basis: the extraordinarily lean cassette design



Weather sensors – automatically react to wind and weather

Sensor technology automatically opens your awning when the sun comes out and can optionally retract it in the wind and rain:

- solar sensor
- sun and wind sensor (solar-powered version also available)
- sun, wind and rain sensor



Convenient radio control – with the weinor BiConnect technology

The weinor radio remote control BiConnect is a comfortable and convenient way to operate the VertiTex. In combination with the BiSens weather sensors, it opens and retracts the vertical awning whenever and however you like.

- ultra-secure signal through routing function
- even for walls or frames of steel construction or heavy insulation
- optional control via BiEasy app

colours

by weinor®



Over
200
patterns

Wonderful **FABRICS** for every purpose

Breathtakingly beautiful and long-lasting: as weinor fabrics are saturated in colour, they retain their radiance for years to come. Teflon EXTREME® finishing makes them water and soil-repellent.

Collection screens by weinor® – that's 40 attractive fabrics in three different qualities, which have been specially developed for vertical privacy and sun protection.



StarScreen is a textile woven fabric for a homely atmosphere. This spinneret dyed polyester fabric has a very natural textile look and feel. Now also available in exclusive melange shades.

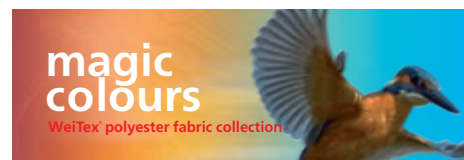
Perluca is an attractive spinneret dyed acrylic fabric with breaks arranged at regular intervals. They ensure a constant exchange of air so that rooms do not overheat.

Soltis® is sun protection with ventilation. The high-tech Soltis® PVC climate-control fabric from Serge Ferrari has small pores to let more air through and allow for a better view outside.

Attractive alternatives- in weinor's main collections you will find more high quality, spinneret-dyed fabrics for your sun protection product.



weinor true colours is our exquisitely colourful acrylic fabric collection. The fabrics are outstandingly durable and come in radiant colours – for beautiful patterns designed to last.



The hallmark of weinor magic colours is its vibrant patterns and high-stretch polyester which retracts to its original smooth state in warm conditions (weinor Memory-Effekt®).

47 standard RAL colours



Over 200 modern FRAME COLOURS

Colour manufacturers make every effort to guarantee colour stability. Despite this, as a result of the ban on the use of heavy metals in powder coatings, it therefore cannot be excluded that colours in general, and Fire Red (RAL 3000) in particular, may fade with time. Colours may differ significantly due to the printing process.

Maximum colour safety: weinor has over 200 different frame colours for you to choose from. You can choose from diverse colours which harmonise with the architecture.

Identical colours – for a perfect match

As weinor does all the powder coating in its own workshop, you can also rest assured that different weinor products come with the same top-class colour tonality and identical gloss level.

Choose from an abundance of high-quality colours:

- 47 standard RAL rack colours, silk gloss
- 9 scratchproof, resistant trend colours with an elegant textured look
- over 150 special RAL colours

RAL 8003
Clay brown

RAL 6012
Black green

RAL 1002
Sandy yellow

RAL 1015
Light ivory

RAL 1003
Signal yellow

9 trend colours

WT 029/10797
Approx.
RAL 9010

WT 029/80081
Iron glimmer
effect P7

WT 029/80077
Approx.
DB 703 metallic

WT 029/71289
Approx.
RAL 7016

WT 029/90146
Approx.
RAL 9006 metallic

WT 029/50704
Approx.
RAL 6009 metallic

WT 029/90147
Approx.
RAL 9007 metallic

WT 029/70786
Sparkling iron
effect

WT 029/60740
Chestnut 04
metallic

weinor **VERTICAL AWNINGS VertiTex**

Product benefits in detail

● standard ○ option — unavailable

	VertiTex rail guide	VertiTex wire guide
Frame colours		
47 standard frame colours	●	●
Over 150 other RAL colours	○	○
9 trend colours	●	●
Quality		
Wind protection tested up to	wind strength 5 on the Beaufort scale, 29 – 38 km/h, and wind resistance class 2 according to DIN 13561	
Technology		
Max. width	600 cm	600 cm
Max. height of system	400 cm for max. width of 350 cm	400 cm for max. width of 350 cm
Max. shadeable area	14,4 m ²	14,4 m ²
Cassette type 74 (82 x 74 mm)	up to 300 cm	up to 300 cm
Cassette type 86 (95 x 86 mm)	● system heights of 301 cm and above	● system heights of 301 cm and above
Multi-section unit	—	—
Motor drive	● as standard; no gearhandle	● as standard; no gearhandle
Accessories		
BiConnect radio control	○	○
Weather sensors		
BiSens SW-Solar	○	○
BiSens SW-230V	○	○
BiSens SWR-230V	○	○
Fabric collection colours by weinor®		
StarScreen functional fabrics	○	○
Perluca functional fabrics	●	●
Soltis® 86/92 functional fabrics	● / ○	● / ○
true colours acrylic fabrics	●	●
magic colours polyester fabrics	●	●

Important:

For textile sun protection: creases occur during manufacture and when folding the awning fabrics. This can lead to the areas of the fold appearing darker when seen against the light, particularly with light colours. Folds in the hem, seam and fabric lengths occur where there are multiple layers of the woven fabric and different rolling thicknesses on the fabric roller. The resulting fabric tension can cause

waviness (e.g. honeycomb or fish bone patterns). In principle, these effects occur to varying degrees in almost all awning fabrics. Creases and folds do not detract from the value and usability of an awning. Awnings and conservatory awnings are sun protection devices which should be retracted when it is raining or windy. Wet fabric creases more easily and as far as possible should only be retracted after

drying out (please take care in strong winds and avoid pooling). Depending on the colour of the ordered frame, we supply all small parts as well as gear handles and drives for systems with gear drives in black (similar to RAL 9005), white (similar to RAL 9016) or grey (similar to weinor 7319).

weinor – made in germany

Award-winning technology and designs



German Design Award

SPECIAL MENTION 2014



Focus Open 2014 Silver



Timelessly classic or puristically modern – with a weinor product, any outdoor area will become an extension of your living space. Numerous design awards bear testimony to our commitment to provide good designs:

- Red Dot Award 2016 “Best of the Best” for PergoTex II pergola awning
- Red Dot Award 2016 for Semina Life cassette-awning
- BTP Innovation Award (Label d’Or) 2016 for PergoTex II Pergola awning
- BTP Innovation Award 2016 for Sottezza II conservatory awning
- Product of the Year M&T 2016 for PergoTex II pergola awning
- iF product design award 2015 the weinor Livona open awning
- Product of the Year M&T 2015 for Sottezza II conservatory awning
- Focus Open 2014 Silver for Cassita II cassette-awning
- Red Dot Award 2014 for Zenara and Cassita II cassette-awnings and the weinor Livona open awning (honourable mention)
- iF product design award 2014 for Zenara, Opal Design II and Cassita II cassette-awnings
- German Design Award Special Mention 2014 for Zenara and Opal Design II cassette-awnings
- Good Design Award 2013 for Zenara cassette-awnings
- Focus Open 2012 for Zenara cassette-awning
- iF product design award 2011 for Plaza Pro pergola awning
- Red Dot Award 2009 for Terrazza Glasoase® cold roof conservatory
- Red Dot Award 2008 for VertiTex vertical sun protection



Premium quality
made in Germany



Embodying innovation

Innovation plays a central role at weinor: this applies to our products, which set the highest-possible standards with their ultramodern engineering, and every element of our corporate culture alike.

Tried and tested weinor quality

Defined work flows and manufacturing processes ensure that our products always meet the same high levels of quality. Numerous certifications also endorse this.

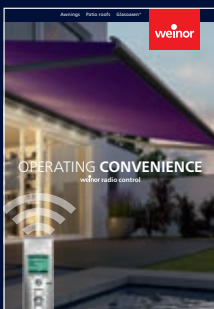
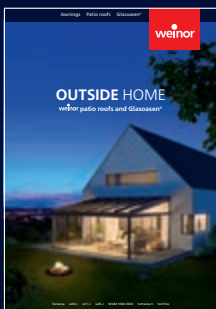
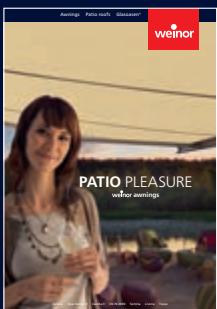
Ecology and responsibility

weinor is an eco-friendly company. To ensure compliance with high environmental standards, manufacturing processes and materials undergo regular testing by experts.



Front cover: **Frame colour** 029/90146 | **Pattern** 7-105
Back cover: **Frame colour** WT 029/70786 | **Pattern** 3-716

We reserve the right to make technical changes. For technical reasons, the colours may appear slightly different when printed.



Experience the whole weinor.com world

Your specialist weinor partner will be pleased to advise you: