

weinor PergoTex II / PergoTex II LED Maintenance Instructions and Directions for Use

Pergola awning with electric drive



ENGLISH

Important guidelines for the end user.

Please read these instructions and observe their contents and warnings before using the equipment for the first time.



118702

Contents

1	Notes on Maintenance Instructions and Directions for Use	3
1.1	Depiction	3
1.1.1	Warnings	3
1.1.2	Tips and recommendations	3
1.1.3	Illustrations	3
1.1.4	Instructions requiring action	3
2	Product description	4
2.1	Schematic diagram of the weinor PergoTex II Basic/ LED	4
2.2	Schematic diagram of the weinor PergoTex II / LED	5
2.3	Description of construction and function	6
3	General safety notes	7
3.1	Use	7
3.2	Use in winds	8
3.3	Explanation of Beaufort classes	8
3.4	Use in rain	9
3.5	Important guidelines for the winter season	9
3.6	Automatic controls	9
3.7	General notes on the fabric	9
4	Specific safety notes	10
4.1	Checking and monitoring the weinor PergoTex II	10
4.2	Operation	10
4.3	Disassembly and disposal	10
5	Cleaning and care (By the user)	11
5.1	Cleaning and maintenance work in the opening space of the weinor PergoTex II	11
5.2	Cleaning	11
5.3	Foliage and foreign bodies	11
5.4	weinor PergoTex II care	11
5.5	Cleaning the powder-coated aluminium parts	12
5.5.1	In saltwater areas	12
5.5.2	In non-saltwater areas	12
5.6	Cleaning PVC fabrics	12
6	Maintenance and rectifying faults (by a suitable specialist retailer)	13
6.1	Maintenance	13
6.2	Rectifying faults	14
7	Retrofits	14
8	Noise level	14

1 Notes on Maintenance Instructions and Directions for Use

You have chosen a high-quality weinor product. Many years of experience and the use of low-wear, corrosion-resistant metals and high-strength plastics vouch for the product. Care and quality are fundamental principles that weinor applies in making its products and which have made them so popular.



To ensure you enjoy our product for many years to come, please observe the following guidelines and instructions.

weinor, quality from the very beginning!


1.1 Depiction

1.1.1 Warnings

The warnings differentiate between personal injury and damage to property. The signal word "Danger" is used for personal injury, and "Caution" for property damage.

 DANGER	Immediate danger to life and limb!
 IMPORTANT	Immediate danger to the product and environment!

1.1.2 Tips and recommendations

	Highlights tips and information that make for correct use of the product.
---	---

1.1.3 Illustrations

Notes on item numbers can be found in the text in parentheses, e.g. (1).

1.1.4 Instructions requiring action

Instructions requiring action are written in bold print. If the instruction requiring action consists of several individual steps, these have been numbered in the order in which they are to be carried out, e.g. :

1.	Mount wall brackets
	1. Determine position
	2. Prepare and drill holes

2 Product description

2.1 Schematic diagram of the weinor PergoTex II Basic/ LED

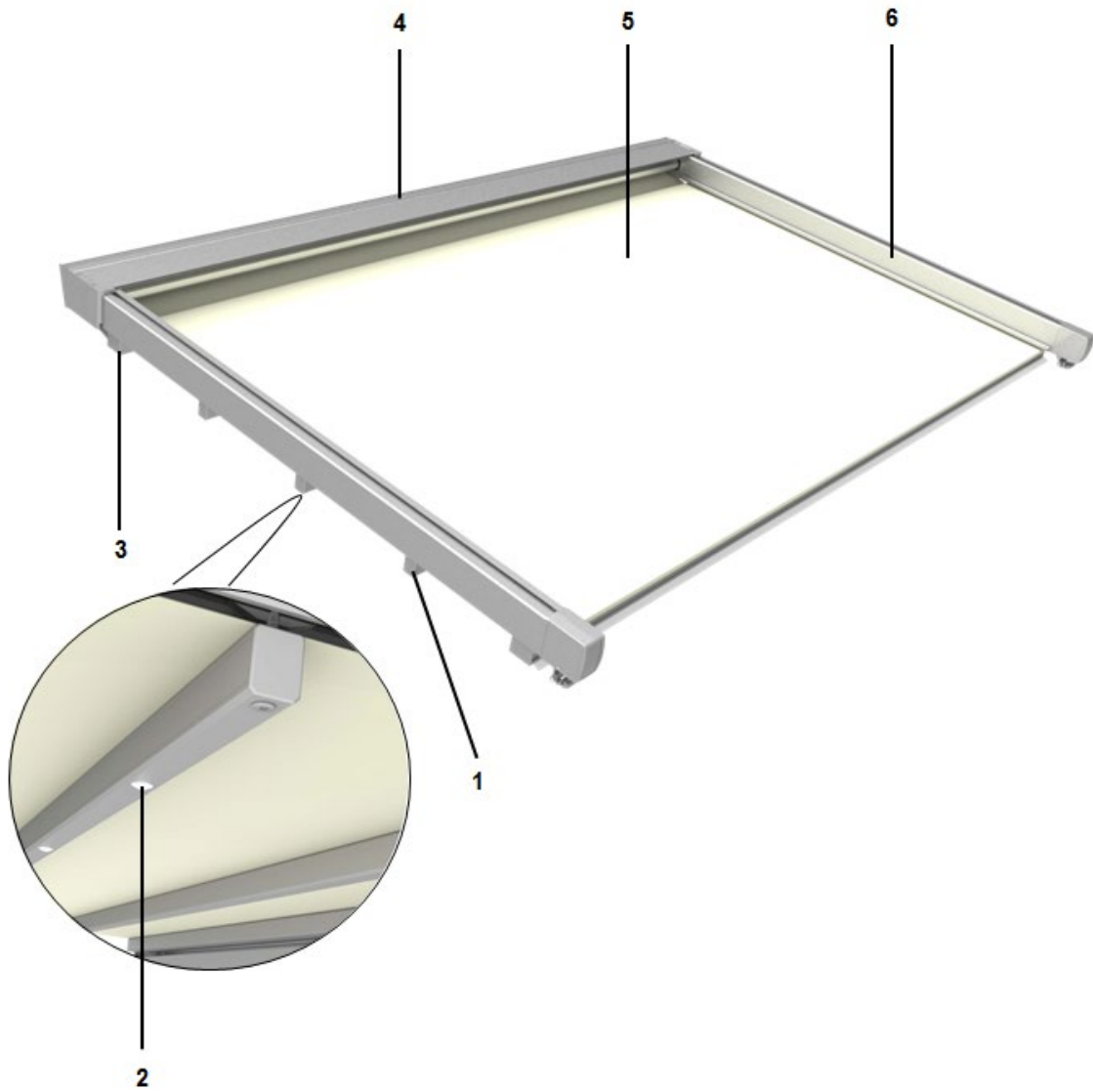


Figure 1: Schematic diagram of the weinor PergoTex II Basic/ LED

1	Transom 45x60 mm	4	Wall bracket
2	LED spotlight	5	Fabric
3	Transom 80x60 mm	6	Side channel

2.2 Schematic diagram of the weinor PergoTex II / LED

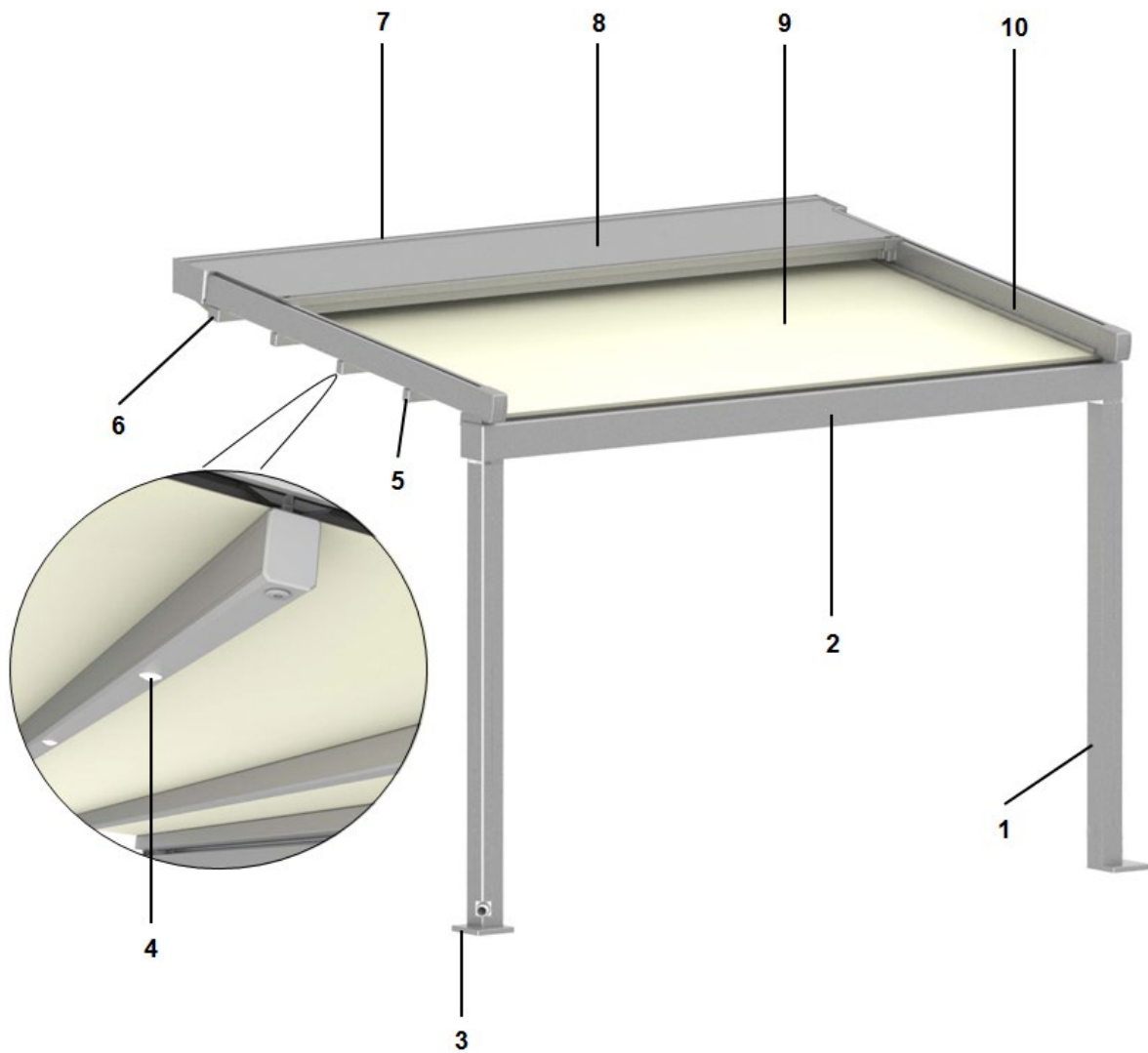


Figure 2: Schematic diagram of the weinor PergoTex II Basic/ LED

1	Post	6	Transom 80x60 mm
2	Guttering	7	Wall bracket
3	Post plate	8	Safety shield with guttering safety shield
4	LED spotlight	9	Fabric
5	Transom 45x60 mm	10	Side channel

2.3 Description of construction and function

The weinor PergoTex II is a sun and rain protection unit with a fabric that opens to protect against the sun and rain.

The weinor PergoTex II can be fitted to any angle of pitch ranging between 0° and 25° depending on the projection and installation height of the awning. However, optimum rain drain can only be guaranteed with a pitch of more than 8°.

The wind resistance class 3 to wind strength 6 is applicable for the weinor PergoTex II.

When the awning is closed, the protective roof extensively protects the fabric against weathering.

The weinor PergoTex II with LED provides an appealing outside lighting due to the LED spotlights integrated in the transoms.

Only high-quality corrosion resistant materials are used in the weinor PergoTex II. The profiles are made of extruded aluminium, end caps and other cast parts are made of aluminium. All connecting parts, such as screws, are made of stainless steel.

3 General safety notes



IMPORTANT

Product and property damage

Risk of damage to the product and property due to improper use of the weinor PergoTex II.

► **Please read and observe the general safety notes contained in this section.**

3.1 Use

- Your weinor PergoTex II has been made with great care; however, your weinor PergoTex II is and always will be a sun and rain protection unit and must therefore be retracted immediately during storms, snowfalls or strong winds (at and above wind strength 6). The leaves on the glazing elements must be fully opened.
- The drive that is supplied as standard with the weinor PergoTex II has been designed to run for a maximum of four minutes switch-on-time. If the running time is exceeded – e.g. by frequently opening and retracting the awning – the internal thermo protector may automatically switch off the motor. In this case, please wait until the motor has cooled down (approx. 15 – 20 minutes depending on the outside temperature) and is ready for operation again.
- If your weinor PergoTex II is fitted with a sun, wind or rain controller, the controls will switch to automatic control after a loss of power depending on the type of controls. Awning systems that had previously been set to manual operation may therefore run automatically after a loss of power.
- If there is a risk of frost, or snow, the awning system must be switched from automatic to manual control to prevent it from moving automatically. The system must not be used if there is a risk of frost or snow.
- The PVC fabric must be retracted and the unit must not be set into operation if there is a risk of frost or snow. The PVC fabric is not designed to withstand extreme snow load or avalanching snow.
- The weinor PergoTex II can be opened to any position up to its maximum length.
- Reference to offset of staves in multi-section units
 - Manufacturing tolerances in the fabric could lead to staves in multi-section units being minimally staggered in reverse.
 - Different effects of solar radiation can lead to staggering of the staves as the fabrics can expand due to exposure to the sun.

3.2 Use in winds

The weinor PergoTex II complies with the requirements of the wind resistance class shown on the EC declaration of conformity printed in the instructions for assembly Instructions. The wind resistance class achieved after assembly of the awning is heavily dependent on the type and number of fixings used as well as the installation surface involved.

The weinor PergoTex II may only be used up to the wind resistance class specified by the company fitting the awning. This may deviate from the wind resistance class stated by the manufacturer.

3.3 Explanation of Beaufort classes

Wind resistance class		0	1	2	3
Beaufort		< 3	4	5	6
Maximum wind speed	in km/h	19,0	28,0	38,0	49,0
	in m/s	5,4	7,9	10,7	13,8
	in mp/h	12,6	18,3	25,3	32,2

Wind force acc. to the Beaufort scale	Description of wind force	Effect on land
0	Calm	Calm, smoke rises vertically
1	Light air	Barely noticeable, smoke drift indicates wind direction, still wind vanes
2	Light breeze	Leaves rustle, wind felt on face
3	Gentle breeze	Leaves and small twigs constantly moving, light flags extended
4	Moderate breeze	Small tree branches move, loose paper lifted
5	Fresh breeze	Larger twigs and trees in leaf move, wind clearly audible
6	Strong breeze	Larger tree branches moving, telegraph masts whistle in the wind
7	Near gale	Trees sway, resistance felt walking against wind
8	Gale	Large trees moving, shutters opening, twigs breaking off trees, generally impedes progress
9	Storm	Broken branches, minor damage to houses, tiles and smoke hoods are blown from roofs, garden furniture is blown over and away, considerable difficulties walking
10	Severe storm	Trees are uprooted, tree trucks break, garden furniture blown away, considerable damage to houses, seldom away from the coast
11	Gale-force storm	Heavy gusts of wind, severe storm damage, severe forest damage (Wind break), roofs are uncovered, cars are thrown from their lane, thick walls are damaged, walking is impossible; extremely rare away from the coast
12	Hurricane	Severest storm damage and devastation; extremely rare away from the coast

3.4 Use in rain

To achieve the best rain drainage, the weinor PergoTex II should be set at an angle of more than 8°.

3.5 Important guidelines for the winter season

The weinor PergoTex II is not designed to withstand extreme snowfalls or avalanching snow loads. These have to be removed from the safety shield surface. As necessary, a snow guard may need to be installed.

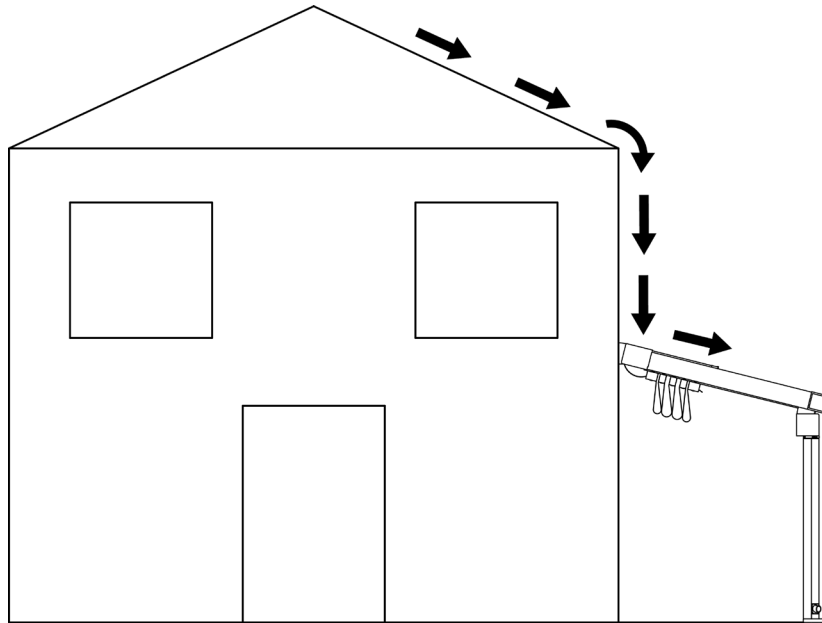


Figure 3: Removing avalanching snow

3.6 Automatic controls

A weinor PergoTex II must never be left unattended when open. The automatic controls may fail under extreme conditions (e.g. power failures, defects, sudden storms). There is a risk that the weinor PergoTex II could be damaged.

Our recommendation: if you vacate the area, switch the weinor PergoTex II from automatic system control to manual control and leave it retracted.

3.7 General notes on the fabric

It is perfectly normal for a small amount of condensation to form on the fabric according to the weather. This does not form grounds for complaint, non-acceptance or price reductions.

A PVC fabric which has been extended for a prolonged period can lose its tautness due to the outside temperature and the effects of sun radiation.

4 Specific safety notes



Personal injury

Risk of personal injury due to improper use of the weinor PergoTex II.

- ▶ **Please read and observe the specific safety notes contained in this section.**

4.1 Checking and monitoring the weinor PergoTex II

For personal safety, it is important that these safety notes are complied with and kept in a safe place.

- The performance of a product depends on how it is assembled and installed.
- Check the awning system for signs of wear or damage.
- On motorised systems, check the electrical leads for damage.
- Do not use units that are in need of repair.
- The repair work may only be performed by trained personnel.

Guidelines for systems with automatic controls

- When performing maintenance or installation work, disconnect the weinor PergoTex II from the power supply.

4.2 Operation

It must be ensured that no children or people unable to properly assess the risks of improper or incorrect use are able to operate the weinor PergoTex II.

Remote controls must be kept out of reach of children.

The setting and operating instructions supplied separately by the manufacturer of the motor, switches and controls must also be observed.

4.3 Disassembly and disposal

Always secure the awning system before dismantling and disposing of it. A suitably qualified company should be engaged to perform this task.

5 Cleaning and care (By the user)

5.1 Cleaning and maintenance work in the opening space of the weinor PergoTex II

There is a risk of motorised sun protection units being activated unintentionally. Always ensure that the weinor PergoTex II is completely switched off (e.g. by disconnecting the fuse) before performing maintenance and cleaning work (e.g. building cleaners).

If the weinor PergoTex II is operated by several users, a steering priority locking device must be installed (controlled interruption of the power supply from outside), making it impossible to open or retract the weinor PergoTex II at all.

5.2 Cleaning

The following points should be carried out at least twice a year, in spring and the autumn and after longer downtime:

- ▶ Intensive cleaning of the construction, in particular the side channel, gutters and fabric

Even a low-maintenance product needs to be cared for. For this reason, please carry out the following maintenance and care tasks as required, once every spring, or whenever the awning has not been in use for a long time. Performing these tasks will extend the operating life of your awning system. Foliage and other foreign bodies as well as heavy dirt must be removed immediately.

5.3 Foliage and foreign bodies

Foliage and other foreign bodies as well as heavy dirt

- in the guttering
- in the side gutters to the left and right of the side channels
- on the fabric, etc.

must be removed immediately.

In general, all the water drainage gutters on the roof and side channels should be regularly checked for dirt and cleaned accordingly.

Any cleaning work not carried out may lead to the premature wear of gaskets and to leaks.

Rainwater outlet holes

- in the posts
- in the gutter,
- in the guttering safety shield

must be kept unblocked at all times to ensure that water can drain off. It is recommended that this is checked and cleaned accordingly twice a year, in spring and the autumn.

5.4 weinor PergoTex II care

Our recommendation:

Your weinor PergoTex II has been designed for low-maintenance. In the unlikely event that it should fail, the service work should be performed by a specialist company.

If lubricants are required during the service work, use greases, sprays or liquids that contain elements of Teflon, PTFE or comparable agents. For best, long-lasting effects, the lubricant must be water- and dirt-repellent. The manufacturer's guidelines must be observed at all times. Do not use lubricants that corrode plastics.

5.5 Cleaning the powder-coated aluminium parts

5.5.1 In saltwater areas



IMPORTANT

Damage to the product

Particularly in saltwater areas, there is a possibility that salt may disperse or accumulate on the product.

- ▶ **Wash off any salt deposits at regular intervals or as required, but no less than twice a year.**
Recommendation: Call in a specialist company to do the work for you.
This is a good way to protect the aluminium parts and their surface from being corroded by salty water.

5.5.2 In non-saltwater areas

Clean the aluminium parts at least once a year, and even more often if heavily soiled. To clean, use clean water and add a few drops of pH-neutral or very slightly alkaline detergent.

5.6 Cleaning PVC fabrics

If the PVC-coated fabric is dirty, this impairs the durability, favours the formation of mould and leads to an increased absorption of dirt.

Therefore, clean the PVC-coated fabric on a regular basis and/or in case of excessive pollution.



IMPORTANT

Product damage due to improper cleaning of the PVC fabrics!

Adhere to the following measures during cleaning to prevent product damage.

- ▶ **Clean PVC-coated fabrics only with plain water and a neutral, liquid cleaning agent.**
- ▶ **Avoid straining the fabric material unnecessarily during the cleaning process. Always adapt the concentration of the cleaning agent, the water temperature, as well as the pressure to be applied to the degree of pollution of the fabric and only use soft cleaning cloths (alternatively: hand brushes/ rotating brushes with soft bristles)**
- ▶ **Never use solvents such as turpentine, saltpeter solution, acetate, aromatic compounds, hydrocarbons (benzine/ diesel) or corrosive products (acids/strong bases), as these can damage the surface of the fabric, impair the protection against outside impacts or destroy the fabric material.**
- ▶ **At the end of the washing operations, rinse the PVC-coated fabric with abundant water in order to remove every trace of cleaning agent. The last rinse has to be carried out with a diluted 2% solution of sodium hypochlorite.**

6 Maintenance and rectifying faults (by a suitable specialist retailer)

6.1 Maintenance

IMPORTANT

Caution! Non-regular maintenance and unprofessional troubleshooting of malfunction can impair the functioning and safety of the construction!

Have maintenance carried out regularly 1x per year by a specialist company!

Non-regular maintenance and unprofessional troubleshooting leads to loss of warranty claims.

- ▶ **Inspect the weinor PergoTex II at regular intervals for signs of wear and tear or damage to the cables and leads. Do not use units that are in need of repair.**
 - Check the electronics and control units
 - Touch up/repair any damage to the paintwork on the aluminium profiles
 - Check that all rubber gaskets and permanently elastic seals are correctly positioned
 - Check the grouting and repair if necessary
 - Check all gaskets, seals, etc. between the PergoTex II and the on-site connections, and repair as necessary
- ▶ **Inspect the weinor PergoTex II at regular intervals for signs of wear and tear or damage to the cables and leads.**
- ▶ **The following points should be carried out at least twice a year, in spring and the autumn and after longer downtime:**
 - Greasing the pulley blocks in the front and wall support caps
 - Checking the toothed belt's tension force
 - Checking the end position of the motor
 - Checking the fabric for visible damage
 - Check the seal at the wall connection and the gutter and repair if necessary
- ▶ **In addition the following points should be carried out at least four times a year:**
 - General check that everything is working
 - Checking the fabric tension force so that rainwater can be drained off properly

Do not operate or use any constructions that are in need of repair.

6.2 Rectifying faults

Error	Cause	Remedy
<ul style="list-style-type: none">• System not running	<ul style="list-style-type: none">• No power supply• Drive incorrectly connected• Motor is too hot and has been shut down by the thermo protector	<ul style="list-style-type: none">• Connect to the mains• Connect to the mains (authorised personnel only)• Wait approx. 15 to 20 minutes until the motor has cooled down
<ul style="list-style-type: none">• Squeaking	<ul style="list-style-type: none">• Bearing surfaces not lubricated	<ul style="list-style-type: none">• Maintenance and care (fitter)
<ul style="list-style-type: none">• Light off	<ul style="list-style-type: none">• No power	<ul style="list-style-type: none">• Establish a power supply voltage• Notify your retailer and partner (rectification by specialist)

7 Retrofits

Your weinor PergoTex II can also be retrofitted with automatic control units, e.g. with sun and rain sensors and glazing elements. For more details, contact your specialist retailer, who will be happy to advise you.

8 Noise level

During ascending and retraction, the noise level of the weinor PergoTex II has been measured at below 70 dB(A).

weinor GmbH & Co. KG
Mathias-Brüggen-Straße 110
50829 Cologne (Germany)
www.weinor.com
Hotline: +49(0)221/5 97 09-214
Fax: +49(0)221/5 97 09-898